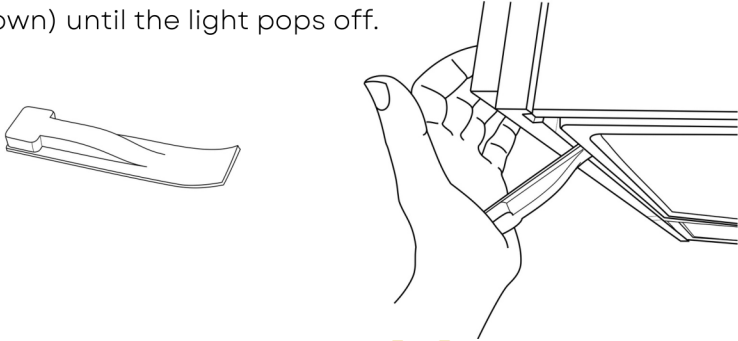


Removing Insetta

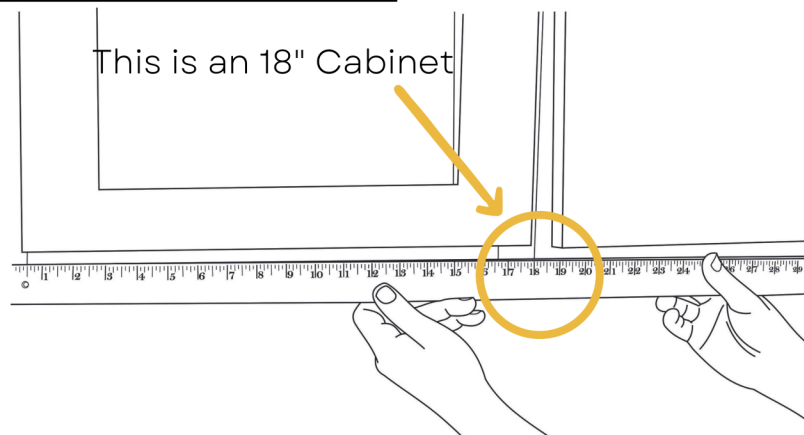
Removal

Insert the removal tool between the light and the face of the cabinet. Slide it over to one side of the light until it reaches a mounting clip. Position one hand to push the tool in with one hand and keep the other hand under the light to catch it as it comes down. Push the Removal tool in between the light and the cabinet (as shown) until the light pops off.



Ordering your lights

Measure



Insetta Fitment Guide

Fill (IFLBWC) is 18" wide, and is used in conjunction with standard sizes for cabinets 33" or greater

Cabinet Size	Cavity	Use these sizes
9" cabinet	7 3/8"	I09BWC
12" cabinets	10 3/8"	I12BWC
15" cabinets	13 3/8"	I15BWC
18" cabinets	16 3/8"	I18BWC
21" cabinets	19 3/8"	I21BWC
24" cabinets	22 3/8"	I24BWC
27" cabinets	25 3/8"	I27BWC
30" cabinets	28 3/8"	I30BWC
33" cabinets	31 3/8"	I15BWC & IFLBWC
36" cabinets	34 3/8"	I18BWC & IFLBWC
39" cabinets	37 3/8"	I21BWC & IFLBWC
42" cabinets	40 3/8"	I24BWC & IFLBWC
45" cabinets	43 3/8"	I27BWC & IFLBWC
48" cabinets	46 3/8"	I30BWC & IFLBWC
corner cabinets	22 5/8"	ICRBWC
L-corner cabinets (2pk)	22 5/8"	IELBWC

Asteris*

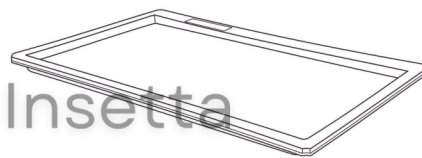
LIGHTING INNOVATIONS

insētta with lite

Instruction Manual

Let's get your Insetta installed and working!

Each package includes:



Mounting Screws

Mounting Clips

Linking Connector

Maximum Lights per circuit

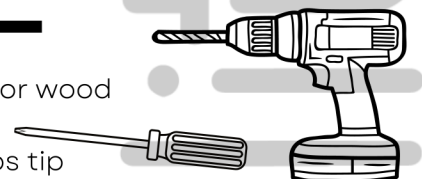
You can connect up to 16.6 feet/200 inches of Insetta to the lite:HUB by running the included linking connector from one panel to the next.

Example: You have 8 24-inch-wide cabinets spanning a space of 16 feet. You can install Insetta panels under each of those cabinets and link them with the linking connector. But if another Insetta panel was added, it would require a separate connection. See lite:HUB instructions for info on the max load each.

Required Tools

Drill with a 9/16" drill bit for wood

Screwdriver with a Phillips tip



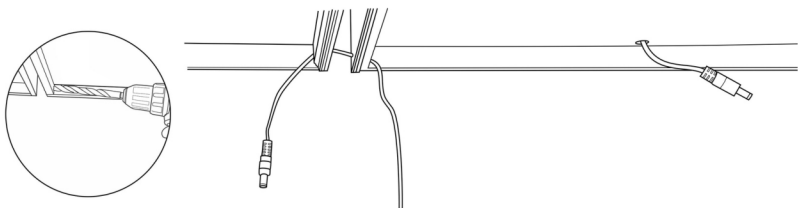
Drilling and Wires

Step 1

If only installing 1 Insetta, skip this step

If installing another Insetta in the adjacent cabinet, drill a hole between the two cabinets.

The hole should be on the narrow strip of wood framing the underside of the cabinet, approximately an inch from the back wall. This hole will allow the linking connector to travel from one Insetta to the other.



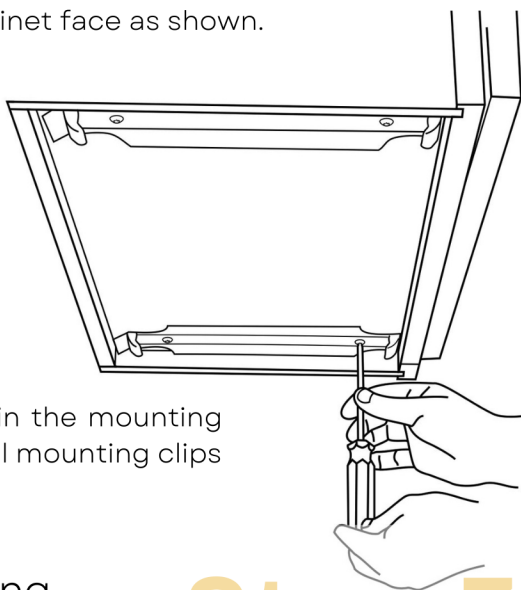
Mounting Clips

Step 2

a. Place the mounting clips into position on the left and right side of the cabinet cavity (if your Insetta comes with 3 clips, mount the third clip in the center). The front of the clips should be butted up against the backside of the cabinet face as shown.

b. Make sure to keep the clips perfectly aligned with the sides of the cabinet so that the Insetta can fit properly.

c. Fasten included screws into the cabinet bottom through each hole in the mounting clips. Repeat until all mounting clips are installed.



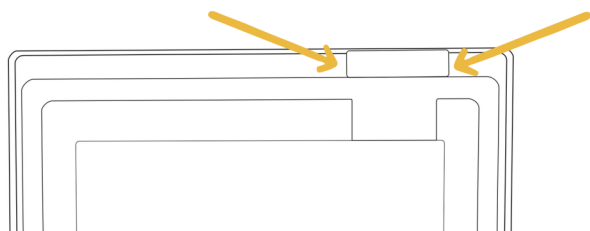
Connect Wiring

Step 3

a. Position the Insetta panel so the electricity connection (power hub) is towards the back of the cabinet, close to the counter backsplash.

b. Each power hub has a power jack on each side. Connect the linking connector coming from the Lite:HUB to one side of the power hub.

c. If connecting more panels - attach the linking connector to either side of the power hub.



Drilling and Wires

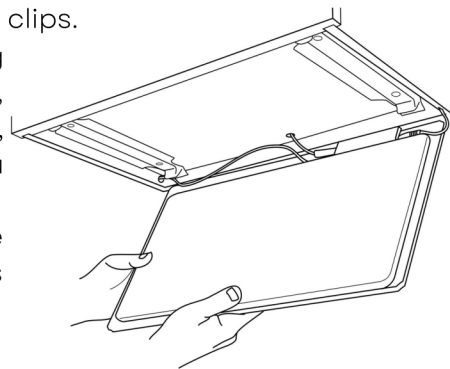
Step 4

a. Making sure to maintain the electrical connections, carefully position the Insetta panel below the mounting clips.

b. Insert the panel into the back hooks first, while making sure to prevent the wires from getting pinched between Insetta and the clips.

While maintaining backward pressure, push the panel upwards, into the clips, until you hear a firm click.

c. Test each side of the panel to ensure that it is firmly mounted.



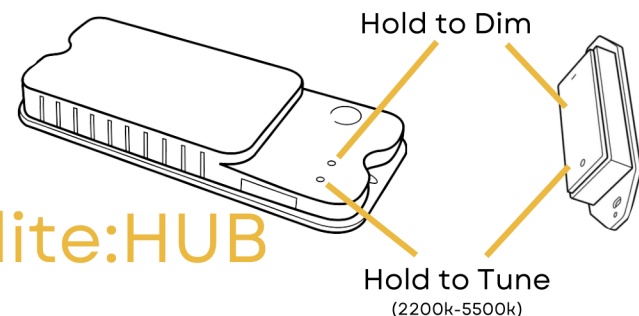
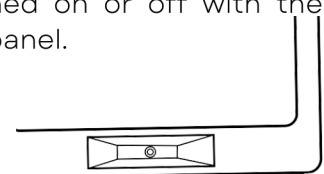
Operating Insetta

Usage

Each Insetta panel can be turned on or off with the small button on the back of the panel.

For regular operation of Insetta, we recommend to following methods of control.

- Use the optional lite:SWITCH.
- Use our mobile app, Google home or Alexa (wifi required)
- Use the buttons on lite:HUB.



lite:SWITCH

Accessories for Insetta

lite:HUB is required for every Insetta installation, & can be mounted anywhere nearby. It is available in 2 sizes;
#LH72 - 72 watts - up to 200" (16.5') of lighting
#LH144 - 144 watts - up to 400" (33') of lighting

lite:HUB is optional for Insetta. It is self powered (no battery OR electrical connection), fits in a standard Decora style plate, and available in 2 variations;
#LSF - Fixed wall mounted switch
#LSM - Removable switch with magnetic base

lite:CONNECTOR extension wires are also available.